

# DISPLAY REFRIGERATOR

## Model: 1R-GD

### 1-Section Display Reach-In Refrigerator with Hinged Glass Door

**1R-GD** - Stainless steel front, aluminum end panels and interior  
**1R-SA-GD** - Stainless steel exterior, aluminum interior  
**1R-SS-GD** - Stainless steel exterior and interior  
**Designed to maintain NSF-7 temperatures in 100°F ambient.**



#### Options and Accessories

(upcharge and lead times may apply)

Stainless steel case back	Digital thermometer
Additional epoxy-coated steel shelves	Remote models
Chrome or stainless steel shelves	Custom laminates
Pan slide assemblies	Pass-Thru (consult factory)
Rehinging of doors (consult factory)	Shallow depth
Expansion valve system	Solid door (full or half)
Wine display	Increased refrigeration systems
Adjustable legs	Special electrical req. (consult factory)

Consult factory for other model configurations, options and accessories.

**Continental**  
Refrigerator

Toll-Free: 800-523-7138  
 Phone: 215-244-1400  
 Fax: 215-244-9579

539 Dunksferry Road  
 Bensalem, PA 19020  
[www.continentalrefrigerator.com](http://www.continentalrefrigerator.com)

Project Name:

Model Specified:

Location:

Item No:

Quantity:

AIA #:

SIS #:

#### Standard Model Features

##### REFRIGERATION SYSTEM

Environmentally-safe R-134a refrigerant

Self contained, performance-rated refrigeration system

Automatic, electric condensate evaporator

##### CABINET ARCHITECTURE

3" non-CFC polyurethane foam insulation

Chrome-plated handle

Cam action, lift off hinges

Self-closing door

Magnetic snap-in door gasket

Cylinder lock in door

Heavy-duty, epoxy-coated steel shelves

Double-pane, tempered hinged glass door

5" casters

##### MODEL FEATURES

LED interior lighting

External dial thermometer

Energy saving switch for door heater

APPROVAL:

## Model Specifications

### DIMENSIONAL DATA

Net Capacity (cu. ft.)	21 (595 cu l)
Width, Overall (in.)	26 (660 mm)
Depth, Overall (incl. handle) (in.)	35 3/8 (899 mm)
Depth [less door] (in.)	32 (813 mm)
Depth [door open 90°] (in.)	55 1/2 (1410 mm)
Clear Door Width (in.)	19 3/8 (492 mm)
Clear Door Height (in.)	58 5/8 (1489 mm)
Height, Overall (incl. 5" casters) (in.)	82 1/4 (2089 mm)
No. of Doors	1
No. of Shelves	4
Shelf Area (sq. ft.)	20.4 (1.9 sq m)
Tray Slide Capacity	24 ea.

### REFRIGERANT DATA

Condensing Unit Size (H.P.)	1/3
Capacity (BTU/Hr)*	2560

### ELECTRICAL DATA

Voltage (int'l)	115/60/1 (220/50/1)
Feed Wires (incl. ground)	3
Total Amps (int'l)	5.5 (3.5)
10 ft. Cord/Plug [attached] (int'l)	Yes (No)

### SHIPPING DATA

Height - Crated (in.)	85 1/2 (2172 mm)
Width - Crated (in.)	31 5/8 (803 mm)
Depth - Crated (in.)	42 (1067 mm)
Volume - Crated (cu. ft.)	65 (1841 cu l)
Weight Std - Crated (lbs.)	315 (143 kg)
Weight SS - Crated (lbs.)	375 (170 kg)
Weight Std - Uncrated (lbs.)	215 (98 kg)
Weight SS - Uncrated (lbs.)	275 (125 kg)

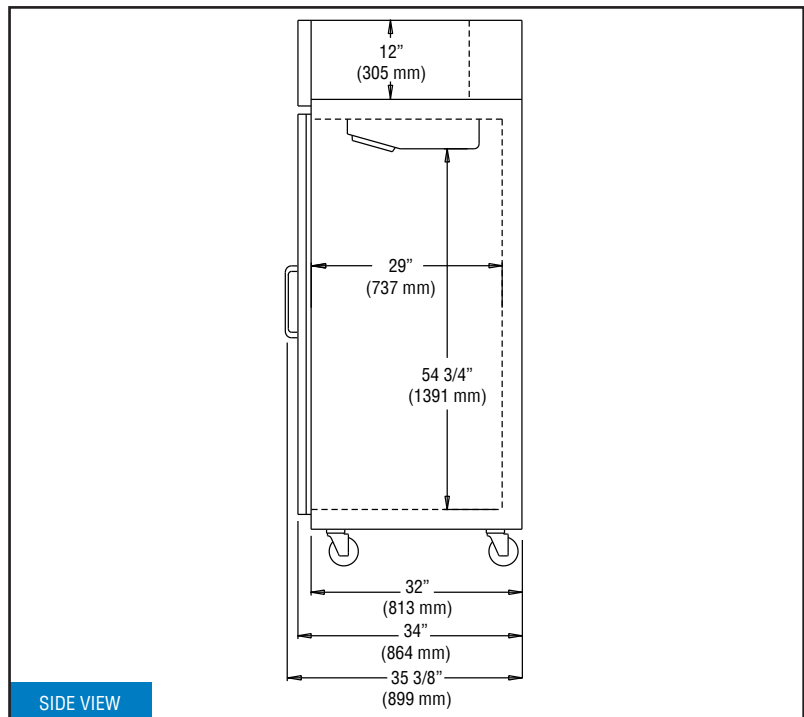
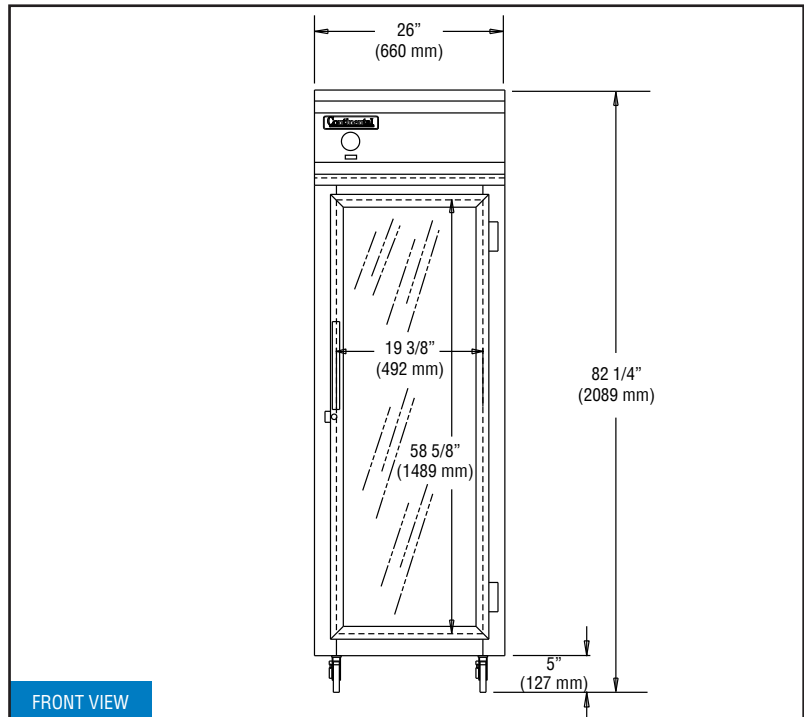
\* Rating @ +25°F evaporator, 90°F ambient

Figures in parentheses reflect metric equivalents rounded to the nearest whole unit.



Equipped with one NEMA-5-15P Plug  
(varies by country)

## Model Plan Views



**IMPORTANT NOTE:** If the cabinet is located directly against a wall and/or under a low ceiling, a minimum clearance of 12" is required.

**Continental**  
Refrigerator

Toll-Free: 800-523-7138  
Phone: 215-244-1400  
Fax: 215-244-9579

539 Dunksferry Road  
Bensalem, PA 19020  
[www.continentalrefrigerator.com](http://www.continentalrefrigerator.com)

Due to our continued efforts in developing innovative products, specifications subject to change without notice.



MADE IN THE U.S.A.

© Copyright 2014. Continental Refrigerator.  
A Division of National Refrigeration & Air Conditioning Products, Inc.